

ADINO POWER

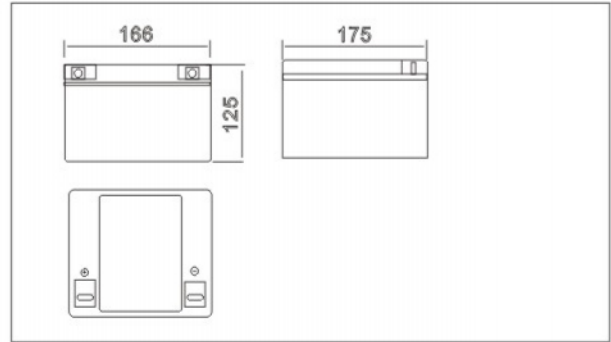
UNINTERRUPTED POWER

Valve Regulated [MF] Lead Acid Rechargeable Battery

AP 12V - 26AH



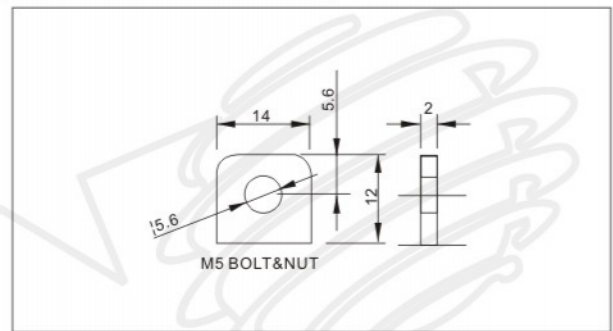
Outer dimensions (mm)



Specifications

Nominal Voltage		12 V
Rated capacity (20 hour rate)		26 AH
Dimensions	Total Height	125mm(4.92 inches)
	Height	125mm(4.92 inches)
	Length	166mm(6.54 inches)
	Width	175mm(6.89 inches)
Weight Approx		7.8Kg(17.16lbs)

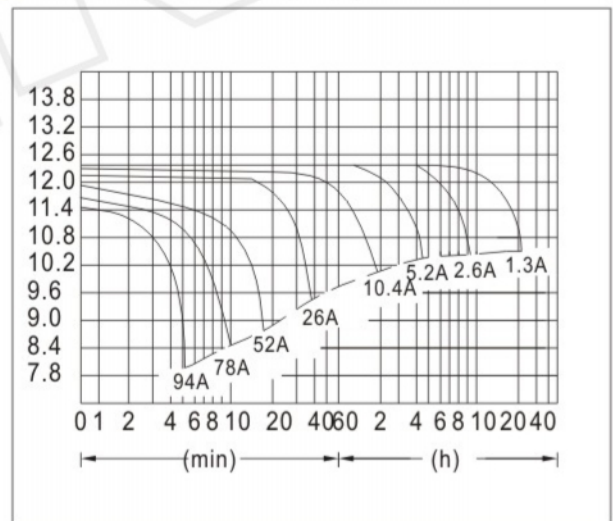
Terminal Type (mm)



Characteristics

Capacity 25°C(77°F)	20 hour rate (1.30A)	26.0AH
	10 hour rate (2.39A)	23.9AH
	5 hour rate (4.42A)	22.1AH
	1 hour rate (15.60A)	15.6AH
	1.5 hour discharge to 10.5V	10.4 A
Internal Resistance	Full charged Battery at 25°C(77°F)	8 mΩ
Capacity affected by Temperature (20hour rate)	40°C(104°F)	102%
	25°C(77°F)	100%
	0°C(32°F)	85%
	-15°C(5°F)	65%
Self-Discharge at 25°C (77°F)	Capacity after 3 month storage	91%
	Capacity after 6 month storage	82%
	Capacity after 12 month storage	64%
Terminal		T4, T13
Charge constant) Voltage)	Cycle	Initial Charging Current less than 10.4A Voltage 14.40-15.00 V Time 10~12h
	Float	Voltage 13.50-13.80 V

Discharge Curves 25°C(77°F)



Constant Current(Amp) and Constant Power (Watt) Discharge Table at 25°C(77°F)

Time	5min	10min	15min	30min	1h	2h	3h	4h	5h	8h	10h	20h	
9.60V	A	93.6	61.4	45.5	29.9	15.6	9.10	6.70	5.37	4.56	3.01	2.46	1.34
	W	972	659	488	321	168	99.9	74.5	60.5	51.9	34.5	28.4	15.6
10.20V	A	85.8	58.7	41.8	28.4	14.6	8.73	6.50	5.20	4.47	2.96	2.42	1.31
	W	921	656	468	319	166	101	75.3	60.5	52.2	34.6	28.4	15.4
10.50V	A	78.1	54.9	39.0	27.5	14.2	8.56	6.39	4.94	4.42	2.93	2.39	1.30
	W	858	624	445	317	164	99.3	74.5	57.8	51.8	34.4	28.3	15.4
10.80V	A	75.1	52.4	36.4	26.8	13.7	8.34	6.28	4.85	4.23	2.85	2.33	1.27
	W	842	605	419	310	159	97.7	74.1	57.3	49.9	33.8	27.7	15.1
11.10V	A	69.4	49.4	33.8	26.0	13.2	8.13	5.96	4.77	4.04	2.77	2.28	1.24
	W	787	572	393	304	155	96.0	70.8	56.8	48.2	33.2	27.5	15.0



SOLUTION EVOLVED FOR YOUR APPLICATION