

ADINO POWER

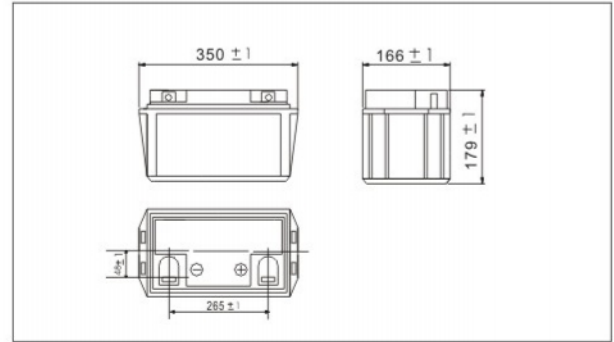
UNINTERRUPTED POWER

Valve Regulated [MF] Lead Acid Rechargeable Battery

APE 12V - 70AH



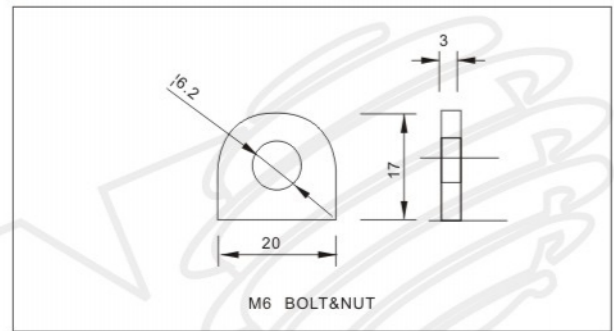
Outer dimensions (mm)



Specifications

Nominal Voltage	12 V	
Rated capacity (20 hour rate)	70 AH	
Rated capacity (10 hour rate)	65 AH	
Dimensions	Total Height	179mm(7.05 inches)
	Height	179mm(7.05 inches)
	Length	350mm(13.8 inches)
	Width	166mm(6.54 inches)
Weight Approx	21Kg(46.2lbs)	

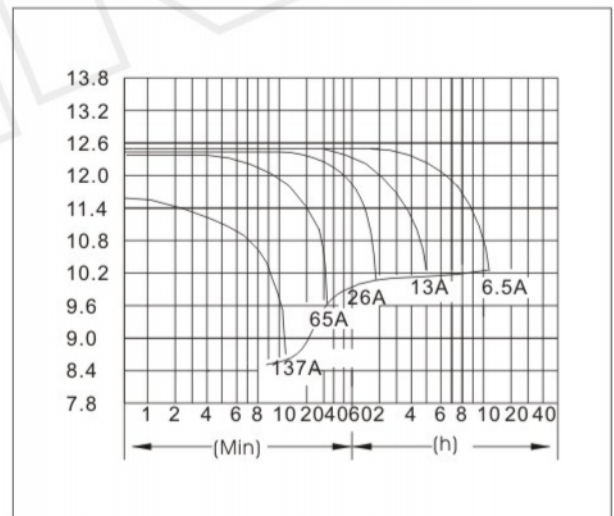
Terminal Type (mm)



Characteristics

Capacity 25°C(77°F)	20 hour rate (3.58A)	70.0 AH
	10 hour rate (6.5A)	65.0 AH
	5 hour rate (10.4A)	52.0 AH
	1 hour rate(39.0A)	39.0 AH
	1.5 hour discharge to 10.5V	26 A
Internal Resistance	Full charged Battery at 25°C(77°F)	5 mΩ
Capacity affected by Temperature (10hour rate)	40°C(104°F)	102%
	25°C(77°F)	100%
	0°C(32°F)	85%
	-15°C(5°F)	65%
Self-Discharge at 25°C (77°F)	Capacity after 3 month storage	91%
	Capacity after 6 month storage	82%
	Capacity after 12 month storage	64%
Terminal	T9	
Charge constant) Voltage)	Cycle	Initial Charging Current less than 26 A Voltage 14.10-14.40V Time 10~12h
	Float	Voltage 13.50-13.80V

Discharge Curves 25°C(77°F)



Constant Current(Amp) and Constant Power (Watt) Discharge Table at 25°C(77°F)

Time	5min	10min	15min	30min	1h	2h	3h	4h	5h	8h	10h	20h
9.60V	A	208	137	111	74.1	39.0	22.8	16.7	13.0	10.7	7.61	3.69
	W	2149	1465	1185	797	421	250	186	146	122	87	42.9
10.20V	A	202	124	104	70.9	36.7	21.7	16.3	12.7	10.5	7.41	3.58
	W	2129	1382	1165	795	415	250	188	147	123	87	41.9
10.50V	A	177	111	91	66.3	35.5	21.2	15.9	12.5	10.4	7.35	3.58
	W	1929	1259	1039	763	411	246	185	146	122	86	42.3
10.80V	A	160	104	85	61.1	34.3	20.7	15.5	12.3	10.1	7.15	3.51
	W	1790	1203	975	708	399	242	182	145	120	85	41.8
11.10V	A	115	98	78	54.6	33.2	20.2	15.0	12.0	9.9	6.96	3.32
	W	1300	1132	909	639	390	238	178	142	118	83	40.2



SOLUTION EVOLVED FOR YOUR APPLICATION