

TC-NC9200S3E-MP-IR30

1.3MP HD Vandal-Proof Network IR Dome Camera

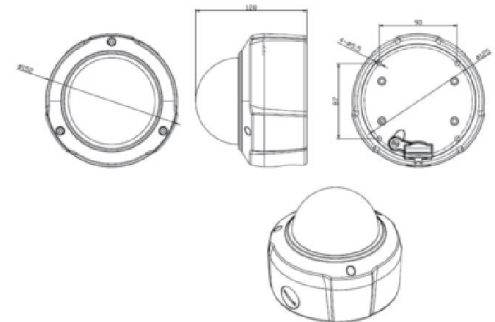


Key Features:

- 1.3MP, 1/3" Sony CMOS sensor
- ARM 9 framework, embedded SOC system
- Maximum resolution of 960P @ 30fps
- Support backlight compensation and image flip
- Support 3D noise reduction, de-interlace, image enhancement, edge enhancement, gamma adjustment
- 2.8mm-10mm HD varifocal lens, ICR dual filter switch
- 20-30 meters effective IR distance
- Support H.264 Baseline Profile/Main Profile encoding type
- Support dual-stream transmission, Vice stream D1@30FPS
- Support IOS/Android/Windows Mobile phone browse & control
- Support electronic amplification and electronic drag
- Dual-core backup
- Support video motion detection (VMD), sensitive areas block
- Automatically obtain IP (DHCP), automatic dialing (PPPOE), Automatic port mapping (UPnP), DNS (DDNS)
- Support the NFS protocol, FTP download
- Support USB

DIMENSION

Unit : mm



SPECIFICATIONS:

Model	TC-NC9200S3E-MP-IR30(2.8-10mm)
Camera	
Image sensor	1/3" Inch CMOS
core processor	ARM9 Architecture processor
operating system	Embedded LINUX
Effective Pixels	1.3 M
Image resolution	Main stream: 960P(1280×960); Second stream:D1(704*576)
Frame rate	PAL: 960P@25 F/S NTSC: 960P@30 F/S
WDR	100db
Electronic Shutter	1/25S to 1/10000S
Mini. Illumination	Color0.05 Lux @(F1.2, AGC ON) B/W0.01Lux @(F1.2, AGC ON); 0 Lux with IR
Aperture	DC drive
Day/Night	ICR
Video parameters	Contrast, brightness, saturation can be adjusted independently
Image processing	Support 3D noise reduction, de-interlace, image enhancement, edge enhancement, backlight compensation, gamma adjustment
Lens	
Lens Mount	2.8-10mm Manual zoom lens
Horizontal viewing Angle	30.5°-98°
Lens interface type	M12
IR LEDs	
IR distance	20-30M
IR Lens	31pcs φ5 IR array LEDs
Interface	
Audio interface	1 channel input; 1 channel output
Alarm interface	1 channel input
Network Port	10/100MEthernet interface RJ45
Protocol	Onvif
Encode Mode	
Video Compression	H.264/MJPEG
Audio Compression	G.711/G.726/ADPCM
Encode type	Base Line Profile/ Main Profile
Video Compression code rate	32K to 8Mbps
Audio Compression code rate	8K to 48Kbps
Others	
IE browser	Web server
Mobile	Support IOS/Android/Windows Mobile
Client	≤8
Local storage	Support USB expand, storage card support max 32G
Network protocol	TCP/UDP/HTTP/MULTICAST/UPnP/DHCP/PPPoE/DDNS/NFS/FTP/NTP/RTP/RTSP
IP address	Support static state IP address/DDNS
OSD character	Support character, time, support max 128 characters
Authority	4 level/128 users
System clock	Build-in clock, support external synchronization
Remote management	Remote network upgrade
Intelligent alarm	Motion detection, Port alarm
Intelligent analysis	Tripwire alarm, Boundary Detection and count function
General	
Operating Environment	-10°C to 60°C, 0 to 95% RHG
Power Supply	DC 12V±10%/POE
Power Consumption	5 W (LED OFF)/ 11 W(LED ON)
Dimension	152mm×152mm×128mm
Weight	1Kg

NOTE: ADINO TELECOM LTD reserves the right, without notification, to make changes in product design or specifications