

# TC-NC9400S3E-MP-IR30

## 1.0 MP HD IR Network Camera



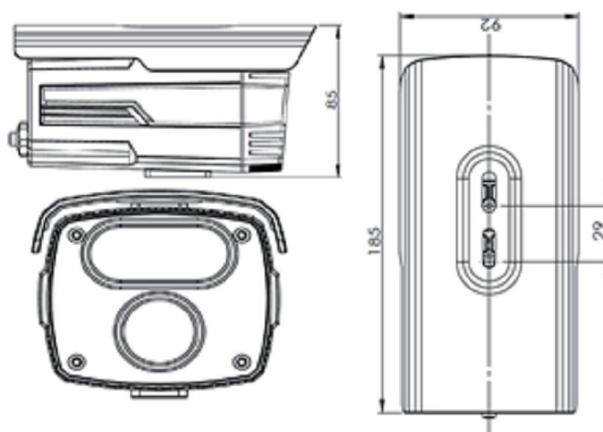
**ONVIF**

### Key Features:

- 1.0MP, 1/4" CMOS sensor
- ARM 9 framework, embedded SOC system
- Maximum resolution of 720P@30fps
- Support backlight compensation and image flip
- Support 3D noise reduction, de-interlace, image enhancement, edge enhancement, gamma adjustment
- 4mm/6mm/12mm HD fixed focus lens optional, ICR dual filter switch
- 30-50 meters effective IR distance
- Support H.264 Baseline Profile/Main Profile/High Profile encoding type
- Support dual-stream transmission, Vice stream D1@30FPS
- Support IOS/Android/Windows Mobile phone browse & control
- Support electronic amplification and electronic drag
- Dual-core backup
- Support video motion detection (VMD), sensitive areas block
- Automatically obtain IP (DHCP), automatic dialing (PPPOE), automatic port mapping (UPnP), DNS (DDNS)
- Support the NFS protocol, FTP download
- IP66 waterproof

### DIMENSION

Unit : mm



## SPECIFICATIONS:

Model	TC-NC9400S3E-MP-IR30(4/6/12mm)
<b>Camera</b>	
Image sensor	1.3MP, 1/3" Progressive Scan CMOS sensor
core processor	ARM9 Architecture processor
operating system	Embedded LINUX
Effective Pixels	1.3 M
Image resolution	Main stream: 960P(1280x960); Second stream:D1(704x576)
Frame rate	PAL: 960P@25 F/S NTSC: 960P@30 F/S
WDR	100db
Electronic Shutter	1/25S to 1/10000S
Minimum Illumination	Color0.05 Lux @(F1.2, AGC ON) B/W0.01Lux @(F1.2, AGC ON); 0 Lux with IR
Day/Night	ICR
Video parameters	Contrast, brightness, saturation can be adjusted independently
Image processing	Support 3D noise reduction, de-interlace, image enhancement, edge enhancement, backlight compensation, gamma adjustment
<b>Lens</b>	
Lens Mount	4mm fixed focus lens/6mm fixed focus lens/12mm fixed focus lens
Horizontal viewing Angle	74°/54°/24°
Lens interface type	M12
<b>IR LEDs</b>	
IR distance	30-50M
IR Lens	2pcs 3rd generation IR array LEDs
<b>Interface</b>	
Network Port	10/100MEthernet interface RJ45
Protocol	Onvif
<b>Encode Mode</b>	
Video Compression	H.264/MJPEG
Audio Compression	G.711/G.726/ADPCM
Encode type	Baseline Profile/ Main Profile
Video Compression code rate	32K to 8Mbps
Audio Compression code rate	8K to 48Kbps
<b>Others</b>	
IE browser	Web server
Mobile	Support IOS/Android/Windows Mobile
Client	≤8
Network protocol	TCP/UDP/HTTP/MULTICAST/UPnP/DHCP/PPPoE/DDNS/NFS/FTP/NTP/RTP/RTSP
IP address	Support static state IP address/DDNS
OSD character	Support character, time, support max 128 characters
Authority	4 level/128 users
System clock	Build-in clock, support external synchronization
Remote management	Remote network upgrade
Intelligent alarm	Motion detection, Port alarm
<b>General</b>	
Ingress Protection	IP66
Operating Environment	-30°C to 60°C, 0 to 95% RHG
Power Supply	DC 12V±10%
Power Consumption	5 W (LED OFF)/ 11 W(LED ON)
Dimension	185mm×92mm×85mm
Weight	0.5 Kg

**NOTE:** ADINO TELECOM LTD reserves the right, without notification, to make changes in product design or specifications