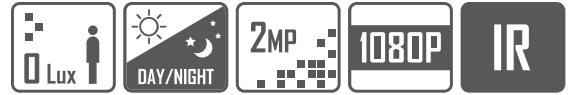


TC-NC9500S3E-2MP-IR30

2MP HD IR Network Dome Camera

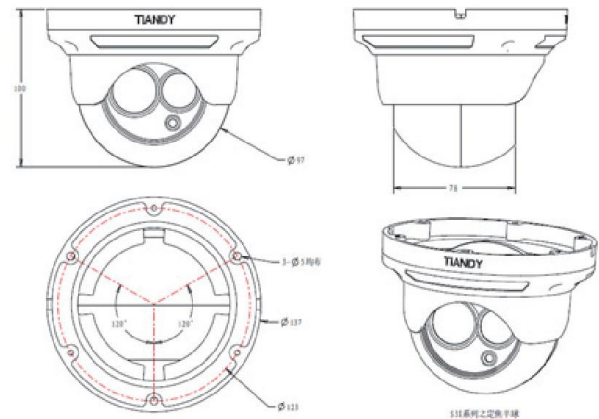


Key Features:

- 2MP, 1/2.8" Sony Exmor CMOS sensor
- ARM 9 framework, embedded SOC system
- Maximum resolution of 1080P @ 30fps
- Support WDR, backlight compensation and image flip
- Support 3D noise reduction, de-interlace, image enhancement, edge enhancement, gamma adjustment
- 2.8mm/4mm/6mm HD fixed focus lens optional, ICR dual filter switch
- 20-30 meters effective IR distance
- Support H.264 Baseline Profile/Main Profile/High Profile encoding type
- Support dual-stream transmission, Vice stream D1@30FPS
- Support IOS/Android/Windows Mobile phone browse & control
- Support electronic amplification and electronic drag
- Dual-core backup
- Support video motion detection (VMD), sensitive areas block
- Automatically obtain IP (DHCP), automatic dialing (PPPOE), automatic port mapping (UPnP), DNS (DDNS)
- Support the NFS protocol, FTP download

DIMENSION

Unit : mm



SPECIFICATIONS:

Model	TC-NC9500S3E-2MP-IR30(2.8mm/4mm/6mm)
Camera	
Image sensor	2MP, 1/2.8" Sony Exmor CMOS sensor
core processor	ARM9 Architecture processor
operating system	Embedded LINUX
Effective Pixels	2 M
Image resolution	Main stream: 1080P(1920×1080); Second stream:D1(704*576)
Framerate	PAL: 1080P@25 F/S NTSC: 1080P@30 F/S
WDR	Color:0.05 Lux @(F1.2, AGC ON) 100db
Electronic Shutter	1/25S to 1/10000S
Mini. Illumination	B/W:0.01Lux @(F1.2, AGC ON); 0 Lux with IR
Day/Night	ICR
Videoparameters	Contrast, brightness, saturation can be adjusted independently
Image processing	Support 3D noise reduction, de-interlace, image enhancement, edge enhancement, backlight compensation, gamma adjustment
Lens	
Lens Mount	2.8mm fixed focus lens/4mm fixed focus lens/6mm fixed focus lens
Horizontal viewing Angle	90°/74°/54°
Lens interface type	M12
IR LEDs	
IR distance	20-30M
IR Lens	1pcs 3rd generation IR array LEDs
Interface	
Network	Port 10/100MEthernet interface RJ45
Protocol	Onvif
Encode Mode	
Video Compression	H.264/MJPEG
Audio Compression	G.711/G.726/ADPCM
Encode type	Base Line Profile/ Main Profile
Video Compression code rate	32K to 8Mbps
Audio Compression code	8K to 48Kbps
Others	
IE browser	Web server
Mobile	Support IOS/Android/Windows Mobile
Client	≤8
Network protocol	TCP/UDP/HTTP/MULTICAST/UPnP/DHCP/PPPoE/DDNS/NFS/FTP/NTP/RTP/RTSP
IP address	Support static state IP address/DDNS
OSD character	Support character, time, support max 128 characters
Authority	4 level/128 users
System clock	Build-in clock, support external synchronization
Remote management	Remote network upgrade
Intelligent alarm	Motion detection, Port alarm
General	
Operating Environment	-30°C to 60°C, 0 to 95% RHG
Power Supply	DC 12V±10%
Power Consumption	5 W (LED OFF)/ 11 W(LED ON)
Dimension	137mm×137mm×100mm
Weight	0.5Kg

NOTE: ADINO TELECOM LTD reserves the right, without notification, to make changes in product design or specifications