

TC-NH9106S3-MPIR

1.3Megapixel Full HD Network IR PTZ DOME Camera

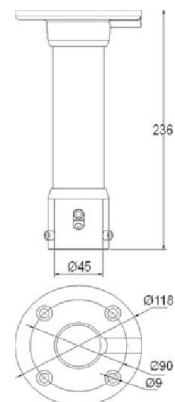
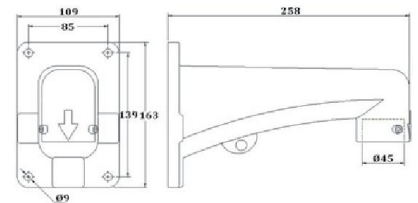
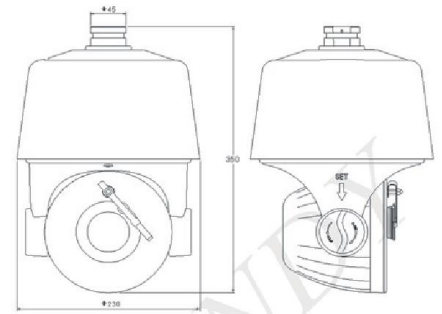


Key Features:

- 1.3MP 1/3" SONY Progressive CCD
- Max 960P resolution, support 18X optical zoom and 12X digital zoom.
- Manual horizontal control speed: 0.05-400°/s, preset accuracy 0.05°.
- 360° continuous pan rotation, -12°~90° tilt rotation.
- Built-in Osram efficient IR array LEDs, IR distance up to 150-180M.
- Cast aluminium housing, Metal Camera, IP66 protection
- Internal special airduct design, support intelligent demist function.
- Support HD video intelligent analysis function, include tripwire detection, Object lost&left behind detection...
- Support auto-tracking function, support alarm trigger tracking model.
- Support OSD digital HD video vector menu, can set advanced parameter remotely.
- Support special 3D positioning function.
- Support IOS/Android/Windows Mobile view and control.
- Support ONVIF, can connect video by player (VLC) directly.
- Support MicroSD Card for local storage.

DIMENSION

Unit - mm



SPECIFICATIONS:

Model	TC-NH9106S3-MPIR
Camera module	
Sensor	1.3MP 1/3" SONY Progressive CCD
Pixel	1.3Megapixel
Image resolution	Main code stream:960P(1280×960)/720P(1280×720) Second code stream: D1(704×576)
Frame rate	960P@15 F/S,720P@25 F/S
WDR	ON/OFF
Electronic shutter	1/25-1/100,000S
White balance	Auto/ Manual
Exposure model	Auto/Manual/shutter priority/aperture priority/brightness priority
3D noise reduction	Support
Mini. Illumination	IR-cut ON(1/30s) 1.8lx, IR-cut OFF(1/4s) 0.02lx(1/4s) F1.6(W),50 IRE
Day/Night	Auto(ICR)
Video parameter	set image brightness/contrast/saturation by IE
Camera parameter	Manual adjustment by OSD menu
Lens	
Focal length	18X(f=4.7-84.6mm)
Horizontal Field	55.2°(w) to 3.2°(t)
IR Function	
IR distance	150-180M
IR Lens	14pcs Osram IR array LEDs
Interface	
Network interface	10M/100M, RJ45 interface
MicroSD Card	MicroSD(TF)Card(Max 32G), support manual recording/alarm recording
Audio interface	1-channel audio input & 1-channel audio output
Alarm interface	8-channel alarm input & 2-channel alarm output
Analog video	1.0V[p-p]/75Ω, PAL or NTSC, BNC
API	Onvif2.0
Encode model	
Core processor	Cortex-A9 SoC processor
Operating system	Embedded Linux
Video compression	H.264/M-JPEG
Audio compression	G.711/G.726/ADPCM
Audio sample rate	64bit/sample
Encode type	BaseLine Profile/Main Profile/High Profile optional
Video compression code rate	32K to 16M Bps
Audio compression code rate	8K to 48K Bps
Transmission model	Dual stream
PTZ	
Manual speed	0.05° to 400°/s(stepless speed)
Max preset speed	400°/s
Preset accuracy	±0.05°

Horizontal rotation range	360°continuous rotation
Vertical rotation range	-12° to 90°auto flip
preset	255
Auto scan	8
Auto cruise	8
Pattern tour	8, each one with 180s memory or 300 orders
OSD menu	Support various languages, various functions & parameter adjustment.
3D Positioning	Support
Power off memory function	Support
Guard function	Link preset/scan/cruise/pattern
Time task	Preset/scan/cruise/pattern/auto-tracking
Motor	Hybrid high-accuracy stepless motor
Speed setup according to the focal distance,	Auto rotation speed adjust in accordance with the lens zoom rate
Protocol	TIANDY/PELCO-P/PELCO-D
Heater	Auto
Wiper	Optional, it can be controlled remote
Auto demist	Support
Others	
Intelligent analysis	Tripwire detection, Object lost & left behind detection
Auto-tracking	Support auto-tracking function, support alarm trigger tracking model
IE browser	Support
Mobile	Support iOS/Android/Windows Mobile
Client	≤8
Network protocol	TCP/UDP/HTTP/MULTICAST/UPnP/DHCP/PPPoE/DDNS/NFS/FTP/NTP/RTP/RTSP
IP address	Support static state IP address/DDNS
OSD character	Support character, time and PTZ angle
Authority	4 level/128 users
System clock	Build-in clock, support external synchronization
Remote management	Remote network upgrade
Intelligent alarm	Motion detection, shield alarm, port alarm, intelligent analysis, auto-tracking
General	
Protection level	IP66/TVS 4000V lightning protection
Working humidity	-40°C to 60°C
Working temperature	0 to 95%(No condensation)
Power supply	AC24V 3A/DC24V 5A self-adaption
Power consumption	60W MAX

NOTE: ADINO TELECOM LTD reserves the right, without notification, to make changes in product design or specifications