

TC-NH9406S6-MPIR-CP

1.3Megapixel Full HD Network IR PTZ DOME Camera

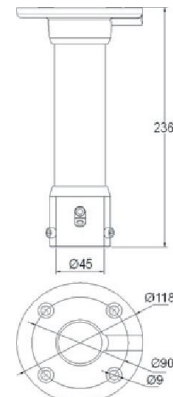
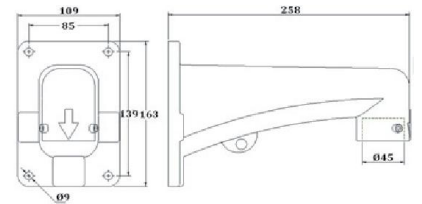
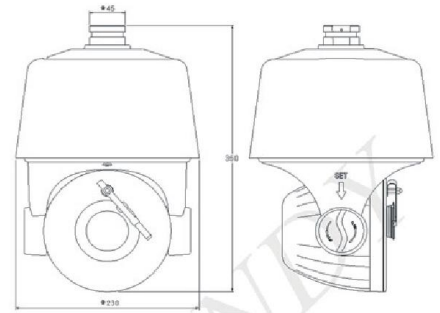


Key Features:

- 1/3" 1.3Megapixel Progressive CMOS sensor
- Max 720P resolution, support 18X optical zoom and 12X digital zoom
- Manual horizontal control speed: 0.05-400°/s, preset accuracy 0.05°
- 360° continuous pan rotation, -12°~90° tilt rotation.
- Built-in Osram efficient IR array LEDs, IR distance up to 120M
- Cast aluminium housing, Metal Camera, IP66 protection
- Support OSD digital HD video vector menu, can set advanced parameter remotely.
- Support special 3D positioning function.
- Support IOS/Android/Windows Mobile view and control.
- Support ONVIF, can connect video by player (VLC) directly.
- Support MicroSD Card for local storage.

DIMENSION

Unit : mm



SPECIFICATIONS:

Model	TC-NH9406S6-MPIR-CP
Camera module	
Sensor	1/3" 1.3Megapixel Progressive CMOS sensor
Pixel	1.3Megapixel
Image resolution	Main code stream: 720P(1280×720) Second code stream: D1(704×576)
Frame rate	720P@25 F/S,720P@30 F/S
WDR	Support
Electronic shutter	1/25-1/100,000S
White balance	Auto/ATW/Manual/ONE PUSH
Exposure model	Auto/Manual
Minimum Illumination	Color: 1 Lux(AGC 30, Sens-up off, F1.6) 0.02Lux(AGC 30, Sens-up x64, F1.6) Black&White: 0.1 Lux(AGC 30, Sens-up off, F1.6) 0.00001Lux(AGC 30, Sens-up x64, F1.6)
Day/Night	Auto(ICR)
Video parameter	set image brightness/contrast/saturation by IE
Camera parameter	Manual adjustment by OSD menu
Lens	
Focal length	18X(f=4.7-84.6mm)
Horizontal Field	55.2°(w) to 3.2°(t)
IR Function	
IR distance	150-180M
IR Lens	14pcs Osram IR array LEDs
Interface	
Network interface	10M/100M, RJ45 interface
MicroSD Card	MicroSD(TF)Card(Max 32G)
API	Onvif2.0
Encode model	
Core processor	ARM9 SoC processor
Operating system	Embedded Linux
Video compression	H.264/M-JPEG
Audio compression	G.711/G.726/ADPCM
Audio sample rate	64bit/sample
Encode type	BaseLine Profile/Main Profile/High Profile optional
Video compression code rate	32K to 16M Bps
Audio compression code rate	8K to 48K Bps
Transmission model	Dual stream
PTZ	
Manual speed	0.05° to 400°/s(stepless speed)
Max preset speed	400°/s
Preset accuracy	±0.05°
Horizontal rotation range	360°continuous rotation
Vertical rotation range	-12° to 90°auto flip
preset	255
Auto scan	8
Auto cruise	8

Pattern tour	8, each one with 180s memory or 300 orders
OSD menu	Support various languages, various functions & parameter adjustment
3D Positioning	Support
Power off memory function	Support
Guard function	Link preset/scan/cruise/pattern
Time task	Preset/scan/cruise/pattern/auto-tracking
Motor	Hybrid high-accuracy stepless motor
Speed setup according to the focal distance,	Auto rotation speed adjust in accordance with the lens zoom rate
Protocol	TIANDY/PELCO-P/PELCO-D
Heater	Auto
Others	
IE browser	Support
Mobile	Support iOS/Android/WindowsMobile
Network protocol	TCP/UDP/HTTP/MULTICAST/UPnP/DHCP/PPPoE/DDNS/NFS/FTP/NTP/RTP/RTSP
IP adress	Support static state IP address/DDNS
OSD charactor	Support character, time and PTZ angle
Authority	4 level/128 users
System clock	Build-in clock, support external synchronization
Remote mamagement	Remote network upgrade
Intelligent alarm	Motion detection, shield alarm, port alarm, intelligent analysis, auto-tracking
General	
Protection level	IP66/TVS 4000V lightning protection
Working humidity	-40°C to 55°C
Working temperature	0 to 95%(No condensation)
Power supply	AC24V 3A/DC24V 5A self-adaption
Power consumption	60W MAX

NOTE: ADINO TELECOM LTD reserves the right, without notification, to make changes in product design or specifications