

TC-NH9606S6-2MPIR

2Megapixel Full HD Network IR PTZ DOME Camera

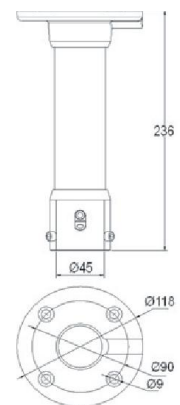
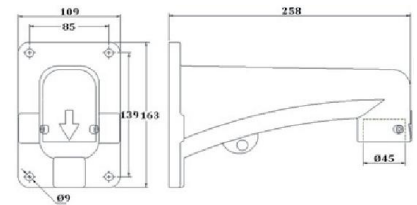
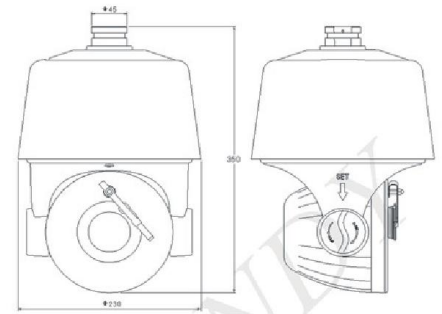


Key Features:

- 1/2.8" 2.1Megapixel SONY Exmor CMOS sensor
- 20X optical zoom, 14 IR array LEDs, IR distance:120-150m
- Precise motor, the precision deviation is less than 0.05 degrees, image stabilization under any speed
- Build-in heater, reduce internal temperature, defog
- Support standard API interface, support TIANDY SDK, Onvif, CGI
- Support PAL/NTSC
- Support 3D position
- Manual horizontal control speed: 0.05-160°/s, preset accuracy0.05°
- 360°continuous pan rotation, -11°~90°tilt rotation.
- Support triple stream output, main stream 1080p@30fps
- Support IVA: trip wire, perimeter, alarm counting
- Support WDR, light suppression, 3D Noise Reduction, image flip, NIR enforcement
- Support defog, digital anti-shake
- Support AAC encode, 48K sampling rate, high definition audio
- Support time template setup
- Support dual-core backup
- Support ROI, key region video compress technology
- IPV6\MTU setup\Multicast\Heartbeat\IP Filter\SNMP
- IP66, TVS 4000V, lightning protection
- Support 32G MicroSD Card for local storage

DIMENSION

Unit - mm



SPECIFICATIONS:

Model	TC-NH9606S6-2MPIR
Camera module	
Sensor	1/2.8" 2.1Megapixel SONY Exmor CMOS sensor
Pixel	2.1Megapixel
Image resolution	Main code stream: 1080P(1920×1080) Second code stream: D1(704×576) Third code stream: CIF(352x288)
Frame rate	50Hz: 960p@25fps; 720p@25fps 60Hz: 960p@30fps; 720p@30fps
Electronic shutter	1/25-1/10000S
WDR	Support
White balance	Auto/ATW/Manual
Exposure model	Auto/Manual
3D Noise Reduction	Support
Light Suppression	Support
Mini. Illumination	Color: 0.5Lux @(F1.6, 50 IRE, ICR off) Black&White:0.095Lux @(F1.6, 50 IRE, ICR on)
Day/Night	Support auto, color, black & white
image superposition	Support 200x200 BMP 24bit image superposition
Key region	ROI support 4 key regions (main/secodn stream)
image process	Support NIR, image enhancement, edge enhancement,defog,digital anti-shake, template mode setup
Video parameter	image brightness/contrast/saturation
Camera parameter	Manual adjustment by IE menu
Lens	
Focal length	4.7mm to 94mm
Optical zoom	20X
Zoom speed	<3s(optics, wide angle-overlook)
Horizontal Field	54.8°(w) to 3.4°(t)
IR Function	
IR distance	120-150m
IR angle	zoom matching, far/middle/near
IR LED brightness	adjustable
IR LED life	>30000 hours
IR LED type	14 IR array LEDs
Interface	
Network interface	10M/100M, RJ45 interface
MicroSD Card	Max 32G MicroSD Card, support manual record/alarm record
API	Onvif2.3
Alarm interface	1-channel input, 1-channel output
Audio interface	1-channel Line input, 1-channel output
Encode model	
Core processor	ARM9 SoC processor
Operating system	Embedded Linux
Video compression	H.264/M-JPEG
Audio compression	G711A/G711U/ADPCM/AAC

Audio sample rate	8K\32K\48K
Encode type	BaseLine Profile/Main Profile optional
Video compression code rate	32K to 16000Kbps
Audio compression code rate	8K to 48K Bps
Transmission model	Triple stream
PTZ	
Manual speed	0.05° to 160°/s(stepless speed)
Max preset speed	240°/s
Preset accuracy	±0.05°
Horizontal rotation range	360°continuous rotation
Vertical rotation range	-11° to 90°auto flip
Motor	Hybrid high-accuracy stepless motor
Speed setup according to the focal distance	Auto rotation speed adjust in accordance with the lens zoom rate
IVA	tripwire, perimeter, alarm counting
Intelligent alarm	motion detection, cover alarm, network disable alarm, IP conflict, MAC conflict detection
OSD character	Support 16×16\32×32\24×24\48×48\64×64 character Support time, date, week superposition Support additional character superposition in 5 regions Support PTZ angle superposition
preset	255
Auto scan	8
Auto cruise	8
Pattern tour	8, each one with 180s memory or 300 orders
3D Positioning	Support
Power off memory function	Support
Guard function	Link preset/scan/cruise/pattern
Time task	Preset/scan/cruise/pattern
Protocol	PTZ_PELCO_D\PTZ_PELCO_P\PTZ_TC615_P\DOME_PELCO_D\DOME_PELCO_P\DOME_PLUS
Others	
IE browser	IE8\IE9\IE10\Chrome8+,Firefox3.5+
Network protocol	TCP/UDP/HTTP/MULTICAST/UPnP/DHCP/PPPoE/DDNS/NFS/FTP/NTP/RTP/RTSP/IPV6/SNMP/SMTP/802.1X/QoS/HTTPS
IP address	Support static IP address\dynamic IP address\MTU customized\network card customized
Authority	32 users, 4 level: administrator, browse, browse control, browse+control+setup
System clock	Build-in clock, support external synchronization
Remote management	Remote network upgrade
General	
Protection level	IP66/TVS 4000V lightning protection
Working humidity	-40°C to 65°C
Working temperature	0 to 95%(No condensation)
Power supply	AC24V 3A
Power consumption	40W MAX

NOTE: ADINO TELECOM LTD reserves the right, without notification, to make changes in product design or specifications